

Outside Temperature Sensor

Active sensor (0...10 V) for measuring temperature in outdoor areas, in cold stores, greenhouses, production plants and warehouses. NEMA 4X / IP65 rated enclosure.


Type Overview

Type	Output signal active temperature	Additional features
22UT-12	DC 0...5 V, DC 0...10 V	External sensor

Technical Data

Electrical data	Power Supply DC	15...24 V, $\pm 10\%$, 0.5 W			
	Power Supply AC	24 V, $\pm 10\%$, 0.8 VA			
	Electrical connection	Removable spring loaded terminal block max. 2.5 mm ²			
	Cable entry	Cable gland PG11 Ø6...10 mm, with strain relief Ø6...8 mm			
Functional data	Multirange	8 measuring ranges selectable			
	Output signal active note	Output DC 0...5/10 V with Jumper adjustable Voltage output: min. 5 k Ω load			
	Media	Air			
Measuring data	Measured values	Temperature			
	Measuring range temperature	Active sensor: range selectable Attention: max. measuring temperature is restricted by max. medium temperature (see Safety data)			
		Setting	range [°C]	range [°F]	Factory setting
		S0	-50...50 °C	-30...130 °F	✓
		S1	-10...120 °C	40...140 °F	✓
		S2	0...50 °C	40...140 °F	
		S3	0...250 °C	30...480 °F	
		S4	-15...35 °C	0...100 °F	
		S5	0...100 °C	40...240 °F	
		S6	-20...80 °C	40...90 °F	
		S7	0...160 °C	0...150 °F	
	Accuracy temperature active	± 0.5 °C @ 21 °C			
Materials	Cable gland	PA6, white			
	Mounting plate	Lexan, silvergray RAL7001			
	Housing	Cover: Lexan, white Bottom: Lexan, white Seal: 0467 NBR70, black			

Safety data	Ambient humidity	85% r.H., non-condensing
	Ambient temperature	-35...50 °C [-30...120 °F]
	Medium temperature	-35...50 °C [-30...120 °F]
	Housing surface temperature	Max. 70 °C [160 °F]
	Protection class IEC/EN	III Safety Extra-Low Voltage (SELV)
	Protection class UL	UL Class 2 Supply
	EU Conformity	CE Marking
	Certification IEC/EN	IEC/EN 60730-1 and IEC/EN 60730-2-9
	Certification UL	pending
	Degree of protection IEC/EN	IP65
	Degree of protection NEMA/UL	NEMA 4X
	Quality Standard	ISO 9001
	Weight	0.11 kg

Safety notes

The installation and assembly of electrical equipment should only be performed by authorized personnel.

The product should only be used for the intended application. Unauthorised modifications are prohibited! The product must not be used in relation with any equipment that in case of a failure may threaten, directly or indirectly, human health or life or result in danger to human beings, animals or assets. Ensure all power is disconnected before installing. Do not connect to live/operating equipment.

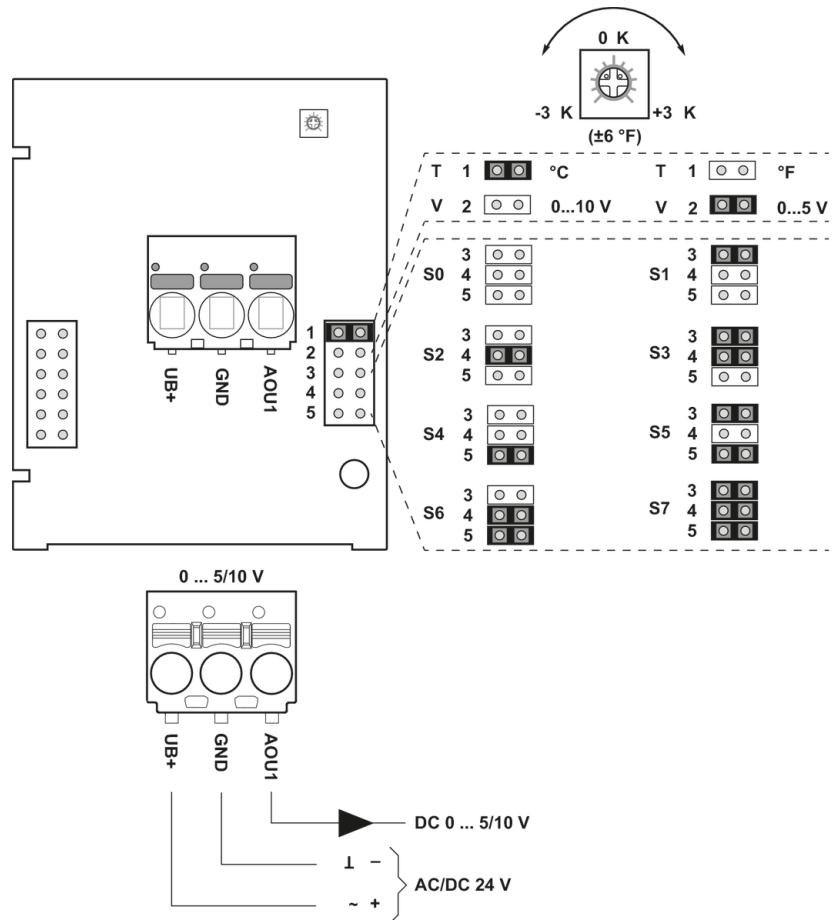
Please comply with

- Local laws, health & safety regulations, technical standards and regulations
- Condition of the device at the time of installation, to ensure safe installation
- This data sheet and installation manual

Accessories

Scope of delivery	Mounting plate Dowel Screws
--------------------------	-----------------------------------

Wiring diagram



The adjustment of the measuring ranges is made by changing the bonding jumpers. The output value in the new measuring range is available after 2 seconds.

Setting	range [°C]	range [°F]	Factory setting
S0	-50...50 °C	-30...130 °F	✓
S1	-10...120 °C	40...140 °F	
S2	0...50 °C	40...140 °F	
S3	0...250 °C	30...480 °F	
S4	-15...35 °C	0...100 °F	
S5	0...100 °C	40...240 °F	
S6	-20...80 °C	40...90 °F	
S7	0...160 °C	0...150 °F	

Dimensions

