

**Condensation Sensor**

Condensation sensor with LED signal.  
Designed to provide a switched output signal to prevent condensation on chilled surfaces such as chilled beams.  
NEMA 4X / IP65 rated enclosure.


**Type Overview**

Type	Output signal condensation detector switch	Additional features
22HH-10	Changeover	Internal sensor

**Technical Data**

<b>Electrical data</b>	Power Supply DC	15...24 V, $\pm 10\%$ , 0.8 W
	Power Supply AC	24 V, $\pm 10\%$ , 1.6 VA
	Electrical connection	Removable spring loaded terminal block max. 2.5 mm <sup>2</sup>
	Cable entry	Cable gland PG11 $\varnothing 6...10$ mm, with strain relief $\varnothing 6...8$ mm
<b>Functional data</b>	Output signal switch note	changeover contact, isolated; max. 24 V / 1.0 A (resistive)
	Display	LED, Green - power supply OK Red - dew permeation
	Media	Water
<b>Measuring data</b>	Measured values	Humidity
<b>Materials</b>	Cable gland	PA6, black
	Housing	Cover: Lexan, Belimo orange NCS S0580-Y6OR Bottom: Lexan, Belimo orange NCS S0580-Y6OR Seal: 0467 NBR70, black
	<b>Safety data</b>	Ambient humidity
	Ambient temperature	-20...50 °C [-5...120 °F]
	Medium temperature	-20...60 °C [-5...140 °F]
	Protection class IEC/EN	III Protective extra-low voltage (PELV)
	Protection class UL	UL Class 2 Supply
	EU Conformity	CE Marking
	Certification IEC/EN	IEC/EN 60730-1
	Certification UL	pending
	Degree of protection IEC/EN	IP65
	Degree of protection NEMA/UL	NEMA 4X
	Quality Standard	ISO 9001
	Weight	0.12 kg

**Safety notes**



The installation and assembly of electrical equipment should only be performed by authorized personnel.

The product should only be used for the intended application. Unauthorised modifications are prohibited! The product must not be used in relation with any equipment that in case of a failure may threaten, directly or indirectly, human health or life or result in danger to human beings, animals or assets. Ensure all power is disconnected before installing. Do not connect to live/operating equipment.

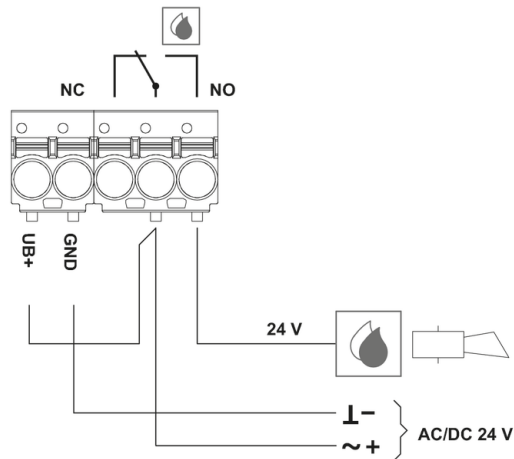
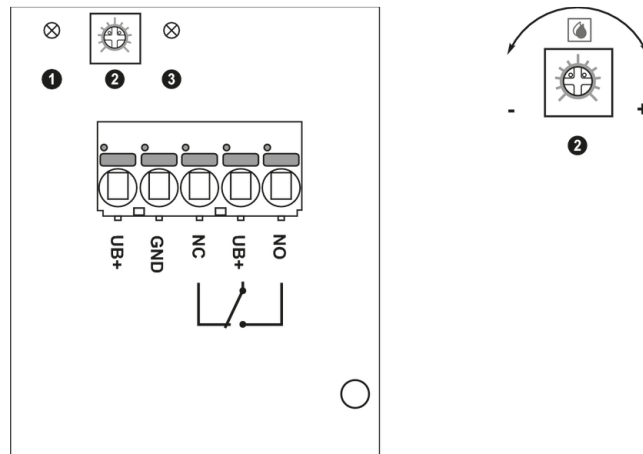
Please comply with

- Local laws, health & safety regulations, technical standards and regulations
- Condition of the device at the time of installation, to ensure safe installation
- This data sheet and installation manual

**Accessories**

Scope of delivery	Description	Type
Cable tie		
Optional accessories	Syringe thermal contact fluid	A-22P-A44

**Wiring diagram**



- ① LED red: dew permeation
- ② Sensitivity adjustment
  - less sensible
  - + more sensible
- ③ LED green: power supply OK

## Dimensions

